

## Handheld Teaching Box

### Module: FR7

#### Overview

---

- Plastic enclosure, Silicon metal dome film button.
- Industrial power source module, strong anti-interference.
- USB host, supporting U-disk, USB, keyboard, expanding devices etc.
- The mainboard surface is with spray coating treatment and applicable to various harsh environment.
- Safe enable switches, key switches, self-locking switch with light.
- Safe emergency stop switches.

#### Appearance

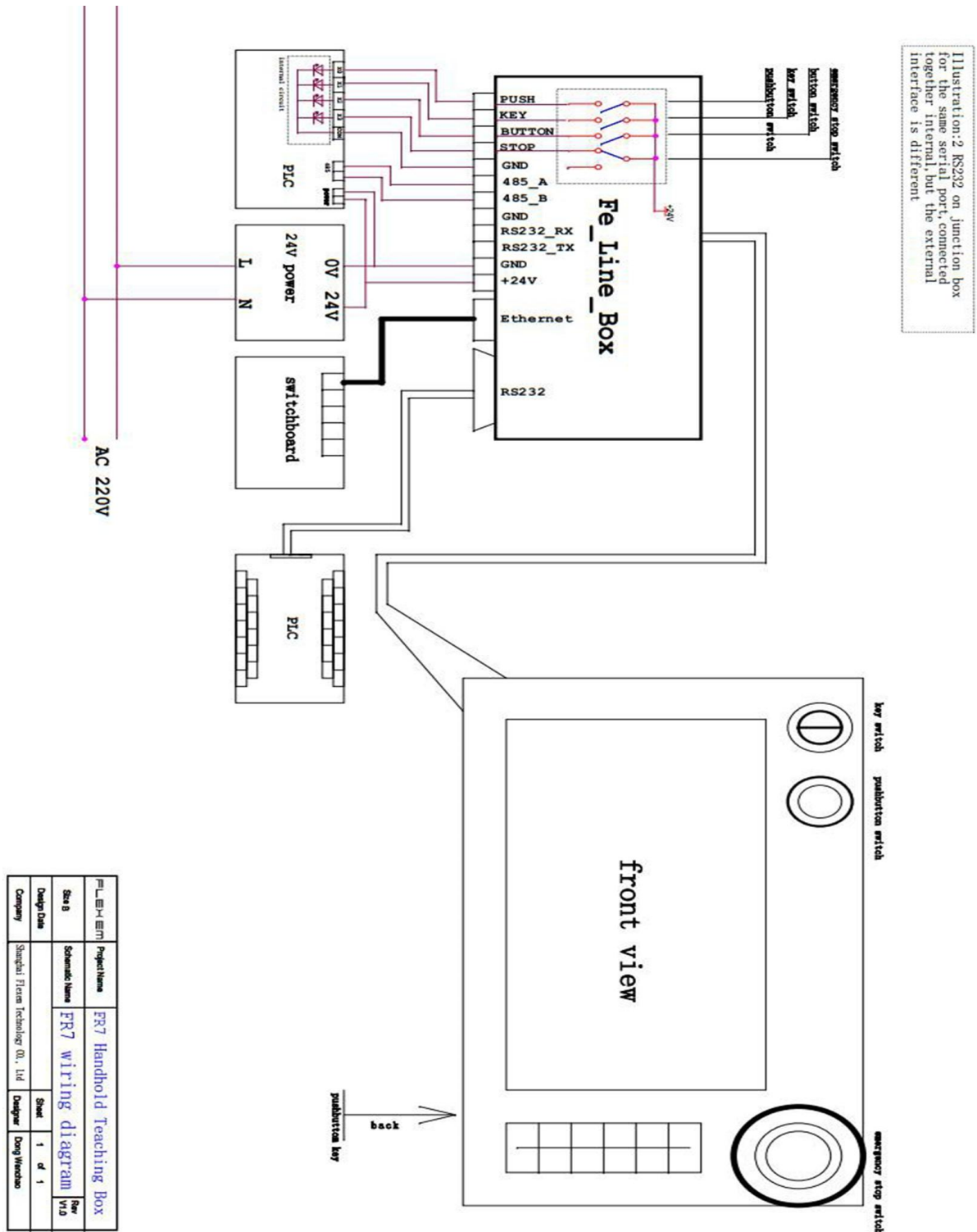
---



**Specifications**

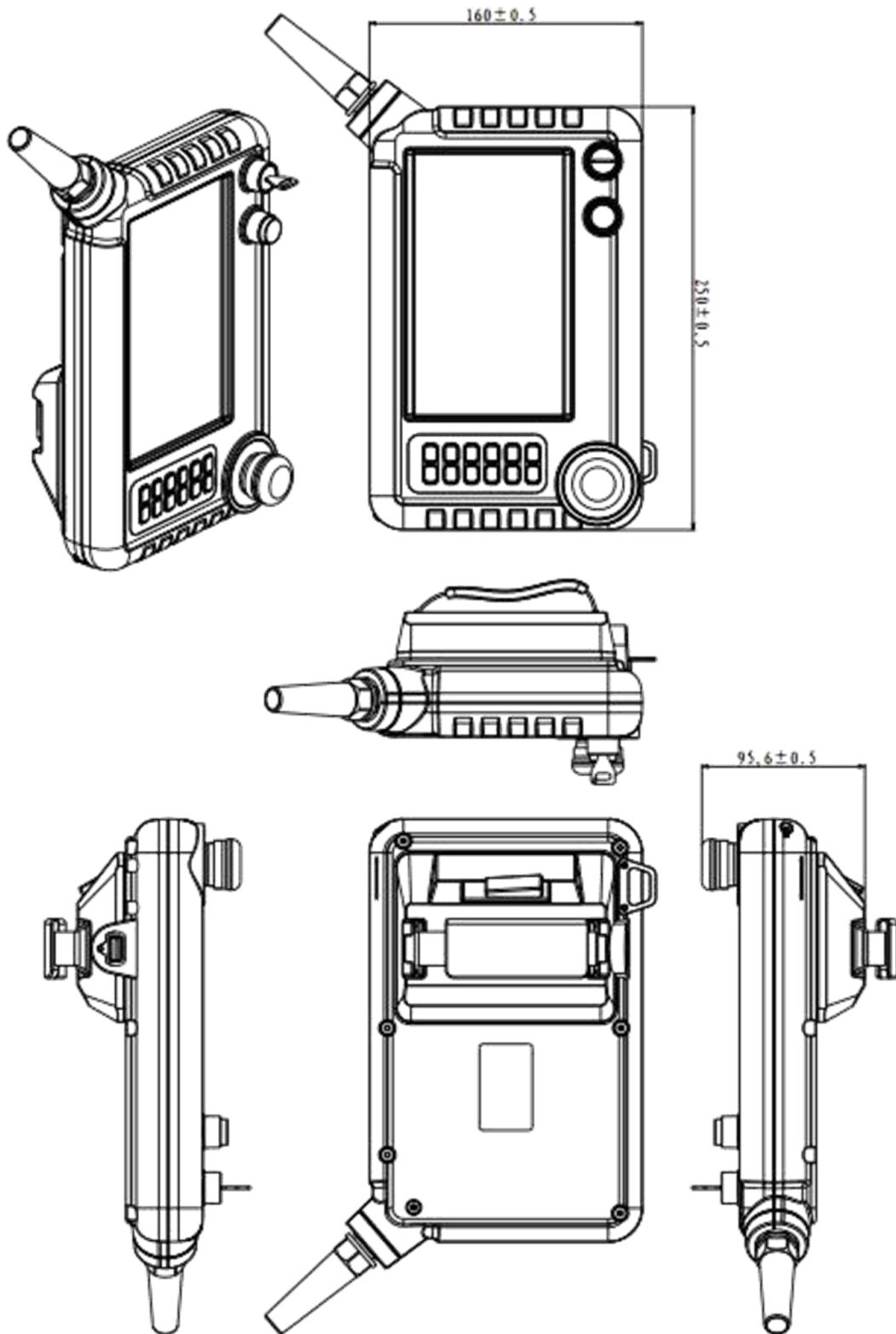
Hardware parameter	Display	7" 16:9 TFT LCD
	Resolution(WxH)	800×480
	Colors	24-bit
	Brightness	450 cd/m <sup>2</sup>
	Backlight	LED
	LCD Life	50000 hours
	Touch Panel	4 wires resistive touch screen (Surface hardness 4H)
	CPU	600MHz ARM Cortex-A8
	Memory	128M Flash + 128M DDR3
	RTC	Built in
	Ethernet	100M Adaptive
	USB Port	USB Host 2.0Port*1
	Operating System	LINUX or WINDOWS CE
	Press Button	Three-stage safe enable switches*1, key switches*1, Self-locking switch with light*1 Safe emergency stop switches*1
	Press Key	6 group: 12 programmable Silicon metal dome keys
LCD viewing angle (T/B/L/R)	50'/70'/70'/70'	
Electrical Specifications	Power Consumption	< 8W
	Input Power	DC24V, working range DC 9V~32V
	Power Protection	Protected from thunder strike and surging
	Power Down Allowed	< 5mS
	CE & RoHS	Complied with EN61000-6-2:2005, EN61000-6-4:2007, RoHS, Surge Immunity:±1KV, EFT:±2KV,ESD:4KV, Air:8KV
Environment Specifications	Operating Temperature	0~50℃
	Storage Temperature	-25~60℃
	Anti-UV	Not suitable to work in strong ultraviolet light (such as direct sunlight)
	Operating Humidity	10~90%RH(Non condensation)
	Vibration Endurance	10~25Hz(X,Y,Z direction 2G/30 minutes)
	Cooling	Natural air cooling
Mechanical Index	Degree of protection	IP20
	Enclosure	ABS
	Dimension	250mm×160mm×95mm
	Weight	Weight: 900g, Whole Weight(including cable and wiring box)1600g

### Wiring definition



FLEXEM		Project Name		FR7 Handhold Teaching Box	
Sheet	Design Date	Sheet	Design Date	Sheet	Design Date
1		1		1	
of		of		of	
1		1		1	
Company		Shanghai Flexem Technology Co., Ltd		Designer Dong Wenzhao	
FR7 Handhold Teaching Box		Schematic Name		FR7 wiring diagram	
Sheet		Design Date		Rev	
1				V1.0	

Size FR7



Contact us

Tel:+86-21-68683993  
Website:www.flexem.com

We will promote devices intellectualization step by step. 4

### Shanghai (R&D Center)

Address: Floor 11, Block B, INNO Center,  
No.298, Guoxia Road,  
Yangpu District, Shanghai

Telephone: +86-21-68683993  
Fax: +86-21-65107569

### Suzhou

Address: Room 915, Ricky Building,  
No.668,Yuting Avenue,Suzhou  
Industrial Park

Telephone: +86-512-69833996

### Shenzhen (Factory)

Address: 5th Floor, NO.2 Building,  
Lanyun Science Park, Tangtou  
Road, Shiyan Town, Baoan  
District, Shenzhen, China

Telephone: +86-755-27610682  
Fax: +86-755-27629895

### Wuxi

Address: Room 1603, Taihu  
Mingzhu Development  
Building, No. 1890 Taihu  
West Road, Binhu  
District, Wuxi City

Telephone: +86-18505101982

### Beijing

Address: Room 2008, Building 1, No. 93  
Jianguo Road, Chaoyang  
District, Beijing (Wanda  
Plaza),China

Telephone: +86-10-58204608  
Fax: +86-10-58204608

### Hangzhou

Address: Floor 1, Unit LEO, Block 5,  
Singapore Science Park,  
Road 6th, Xiasha Economic  
Development Zone,  
Hangzhou